



Health Heart Home

Air Purifier

漳州众环科技股份有限公司

Zhangzhou iHastek Inc.



Model No	PF00-19003
CADR	250cfm / 420sqm/H
Filter Grade	H13
Speed Level	4
HEPA	YES
Ionizer	YES
Timer	YES
Replace filter	YES
Motor type	AC
Noise Level	62dB
Room size	51m ²
Product dimensions	405*195*525
Gift box dimensions	450*234*568
Master carton	468*240*584 (1PCS)



Model No	PF00-19004
CADR	38cfm / 64sqm/H
Filter Grade	H13
Speed Level	2
Prefilter	YES
HEPA	YES
VOC	YES
Replace filter	YES
Motor type	AC
Noise Level	50dB
Room size	10m ²
Product dimensions	165*165*251
Gift box dimensions	210*210*300
Master carton	705*475*344(6PCS)

漳州众环科技股份有限公司

Zhangzhou iHastek Inc.



Model No	PF00-19008
CADR	70cfm / 120sqm/H
Filter Grade	H13
Speed Level	3
HEPA	YES
Ionizer	YES
Replace filter	YES
Motor type	AC
Noise Level	55dB
Room size	12.8m ²
Product dimensions	225x175x448
Gift box dimensions	216*276*485
Master carton	285*228*506(1PCS)



Model No	PE00-19010
CADR	180cfm / 300sqm/H
Filter Grade	ESP
Power Level	12
Prefilter	YES
Ionizer	YES
Timer	YES
Motor type	DC
Noise Level	50dB
Room size	36m ²
Product dimensions	194*327*648
Gift box dimensions	372*242*735
Master carton	750*500*390(2PCS)

漳州众环科技股份有限公司

Zhangzhou iHastek Inc.

AIR CLEANER + HUMIDIFIER



Description	Pure+Ion Bedroom
Region	U.S.A.
Room Size (Sq Ft/M2)	195 sq Ft Per AHAM smoke CADR chart
Performance Rating(CADR):Smoke (measured in Supplier testing lab)	126(+/-10%)
Performance Rating(CADR):Dust	125(+/-10%)
Performance Rating(CADR):Pollen	123 (+/-10%)
Control Panel Description	<ol style="list-style-type: none"> 1. Four button(fan speed button / power swtich / Humidifying swtich / timer button) 2. Fan speed indicator (TURBO / HIGH / MED / LOW / WHISPER) 3. Humidifying swtich(LOW / MED / HIGH) 4. Timer indicator(12hrs / 8hrs / 6hrs / 4hrs / 2hrs) 5. On / Filter cleaning reminder indicator
Fan speeds	5
Humidifying speeds	3
Filter Type (included in the unit)	Electrostatic filter
Filter Detection System	YES
Rated Voltage	120V
Rated Frequency	60Hz
Wattage	38W
Agency Listing	ETL
Power Cord Type	SPT-2,18AWGx2C
Outside Power Cord Length (inch)	≥72" external and <90"
Plug Type	2-Prong Plug(Polarity type)



Model No	KJA3
CADR	200cfm / 340sqm/H
Filter Grade	H12
Speed Level	4
Prefilter	YES
HEPA	YES
VOC	YES
UV	YES
Ionizer	YES
Photocatalysis	YES
Timer	YES
Replace filter	YES
Particle sensor	YES
Motor type	DC
Noise Level	55dB
Room size	40m ²
Product dimensions	442×256×578
Gift box dimensions	493*313*637
Master carton	508*325*654(1PCS)



漳州众环科技股份有限公司

Zhangzhou iHastek Inc.



Model No	KJA6
CADR	200cfm / 340sqm/H
Filter Grade	H12
Speed Level	4
Prefilter	YES
HEPA	YES
VOC	YES
UV	YES
Ionizer	YES
Photocatalysis	YES
Timer	YES
Replace filter	YES
Particle sensor	YES
Motor type	DC
Noise Level	55dB
Room size	40m ²
Product dimensions	442*248*631
Gift box dimensions	512*312*699
Master carton	524*324*708(1PCS)



漳州众环科技股份有限公司

Zhangzhou iHastek Inc.



Humidifier

漳州众环科技股份有限公司

Zhangzhou iHastek Inc.



Model	HU00-19012
Type	Ultrasonic cold mist humidifier
Mist output(ml/h)	60/220
Tank capacity	1L
Speed	2
Control	Touch button
Noise Level	35dB
Run time(H)	5
Dry-protection	Yes
Product dimensions (mm)	182*182*188.5
Gift box dimensions (mm)	235*233*214
Master carton	485*235*230(2PC)



Model	HU00-19013
Type	Ultrasonic cold mist humidifier
Mist output(ml/h)	40/80
Tank capacity	0.25GL/0.95L
Speed	2
Control	Touch button
Noise Level	32dB
Run time(H)	12
Dry-protection	Yes
Product dimensions (mm)	210.2*110*149
Gift box dimensions (mm)	180*140*258
Master carton	290*190*270 (2PC)



Model	HU00-19014
Type	Ultrasonic cold and hot mist humidifier
Mist output(ml/h)	60/150/260/330
Tank capacity	1.5G/5.67L
Speed	3
Heating	Yes
Control	Touch button
Noise Level	35dB
Run time(H)	2.2
Dry-protection	Yes
Timer	Yes
Night light	Yes
Product dimensions (mm)	215*210*329
Gift box dimensions (mm)	246*226*450
Master carton	260*238*466 (1PC)



Model	AE00-19017
Type	Ultrasonic microporous aromatherapy humidifier
Mist output(ml/h)	10/20
Tank capacity	60ml
Speed	2
Control	Touch button
Noise Level	35dB
Run time(H)	3
Dry-protection	Yes
Night light	Yes
Product dimensions (mm)	130*130*243MM
Gift box dimensions (mm)	157*157*267
Master carton	505*342*590(12PC)



Model	AE00-19018
Type	Ultrasonic microporous aromatherapy humidifier
Mist output(ml/h)	7/20
Tank capacity	60ml
Speed	1
Control	Touch button
Noise Level	35dB
Run time(H)	4
Dry-protection	Yes
Product dimensions (mm)	84*84*255mm
Gift box dimensions (mm)	120*125*265
Master carton	371*255*277(6PC)



Model	AE00-19021
Type	Ultrasonic microporous aromatherapy humidifier
Mist output(ml/h)	10/20
Tank capacity	150ml
Speed	2
Control	Touch button
Noise Level	30dB
Run time(H)	7.5
Dry-protection	Yes
Night light	Yes
Product dimensions (mm)	φ147*161
Gift box dimensions (mm)	186*186*200
Master carton	385*385*415(8PC)



- Ultrasonic Cool Mist(Top fill) No-HU00-19054
- Seven color night light
- Aroma
- Auto shut-Off and the Red indicator turns on when the tank is empty to avoid dry burnt and remind the user to refill the water tank-safety design
- The plastic parts direct contact with water,have added antibacterial material

漳州众环科技股份有限公司

Zhangzhou iHastek Inc.

- Ultrasonic Cool Mist(Top fill) No-HU00-190
- 1.0 GL
- Mist output: 60 ml/hr-240ml/hr
- running time for 60 hours/15hours
- Maximum noise 35 dB
- Dimension(mm):162(D)*162(W)*278(H)





Dehumidifier

漳州众环科技股份有限公司

Zhangzhou iHastek Inc.

Model:DH00-19030

Features:

- ▶ Individual improve the Air environment
- ▶ Semiconductor dehumidification
- ▶ Air Sanitizer & Deodorizer
- ▶ Humidity display
- ▶ Water full remind
- ▶ Dehumidification 350 mL / day (80% humidity and 86° Fahrenheit)
- ▶ Water tank 700 mL
- ▶ Unit Dimension(mm), 220 (D)*125 (W)*265 (H)





Water Purifier

漳州众环科技股份有限公司

Zhangzhou iHastek Inc.



Features:

- Effective filtration of bacteria, colloids, insect eggs, algae, rust, plankton, microorganisms, residual chlorine; eliminate bad odors and color, taste improvement, heavy metal, limescale.
- Intelligent touch control panel
- Filter life reminder
- Meet MA certification standard, national CPC certification, NSF and FDA quality requirements.
- RO membrane adopts American Dow original membrane
- Transparent water tank adopts American Tritan material.
- The water tank uses UVC to sterilize in real time, and the sterilization rate is over 99%.
- Strontium Water

漳州众环科技股份有限公司

Zhangzhou iHastek Inc.



Specifications:

- Filter: Combination、RO、 carbon rod
- Flow: 1.5 L/MIN
- Capacity: 2000 L
- Working temperature: 5~38 ° C
- Working pressure: 0.1~0.4 MPA
- Power: 220V/50Hz
- Size: 197mm(L)*363mm(W)*402mm(H)



漳州众环科技股份有限公司

Zhangzhou iHastek Inc.

Design Details



Removable Cup Holder



3 seconds to change the filter.

漳州众环科技股份有限公司

Removable Water Tank

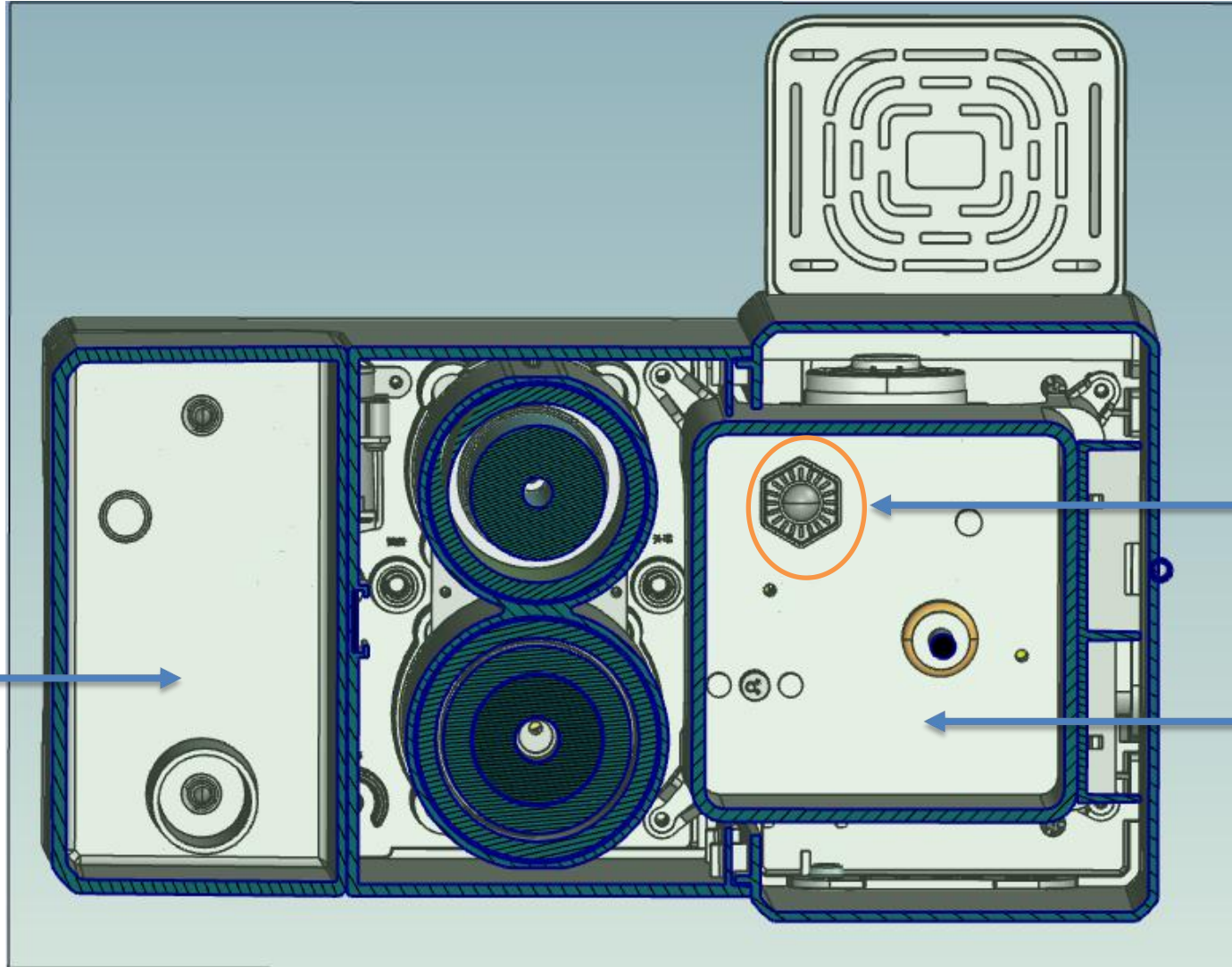
Zhangzhou iHastek Inc.



Dual Water tank design to increase the flow to 2 L/MIN

With UVC to kill the virus

Water Tank
for Unfiltered
water

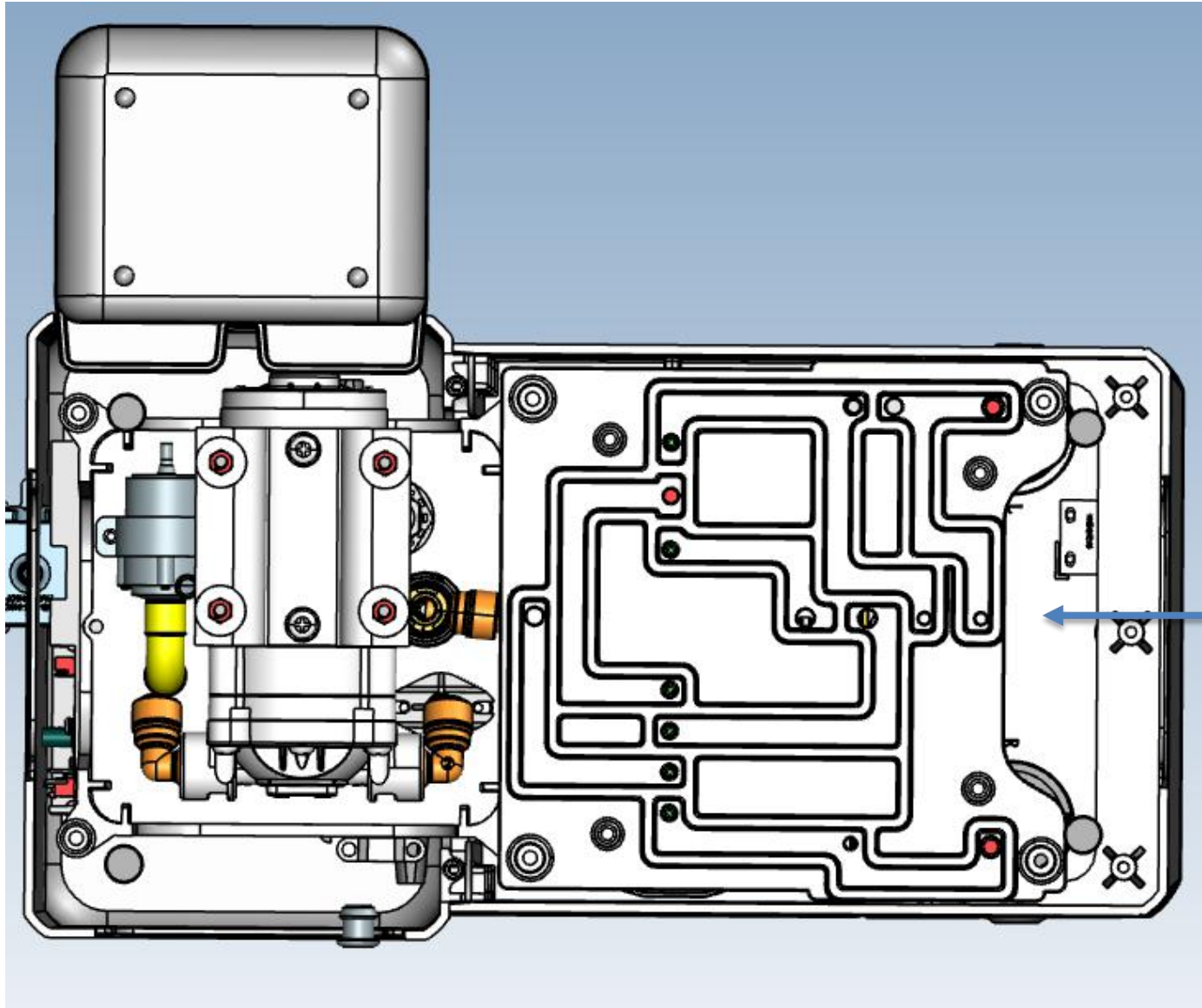


UVC

Water Tank
for filtered
water

漳州众环科技股份有限公司

Zhangzhou iHastek Inc.



Integrated waterway to
avoid leakage, low
defective rate



Our expectation and goal is
Grow quickly, improve continuously,
to be your best partner.